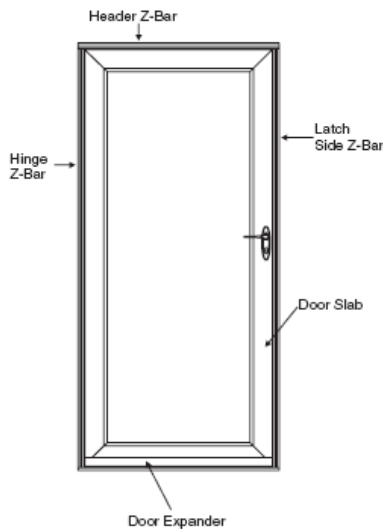


Storm Door Installation Instructions

3/1/06

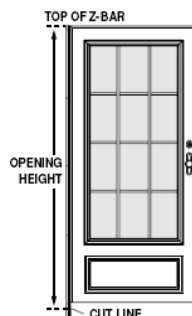


Tools Required

- *Electrical Drill*
- *Hacksaw*
- *3/32" Drill Bits*
- *5/16" Drill Bits*
- *Knife*
- *Tape Measure*
- *Saw Horses*
- *Stiff Putty Knife*
- *Pencil*
- *Square*
- *Flat & Phillips Screw Driver*
- *Level*
- *Pliers*
- *Hammer*

Fitting the Door to the Opening

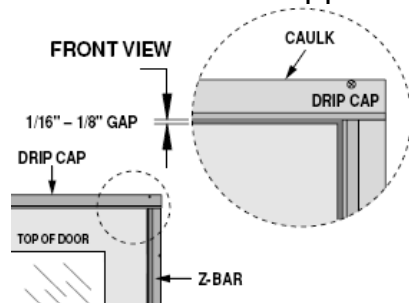
1. Take an outside measurement of the opening height to accommodate the slope of your sill.
2. With the door in the closed position, place it in the opening and check the fit.
3. Mark and cut both Hinge and Lock side Z-bars at a slight slope to the outside. The Z-bars need to be cut 1/8" shorter than the opening that it will be installed in.



4. With the door in the closed position, place it in the opening and push

the hinge side of the door tightly against the jamb. Secure it with screws. The tighter you get it against the wood, the better. Install the screws along the full length of the hinge side Z- bar jamb and Z-bar header before removing the shipping clips located at the top and bottom of the latch side Z-bar jamb.

5. Open the door and install two jamb screws at each hinge. Note: These screws are installed perpendicular to the ones already installed on the outside of the hinge Z-bar and will be hidden from view when the door is closed. Location and tension on these screws on the hinge side Z-bar jamb will adjust the gap between the latch side Z-bar door frame and the weatherstripping on the latch (opposite) side of the door. (These screws will torque the Z-bar hinge side jamb and adjust the clearance between the latch side Z-bar and the door slab on the opposite side of the door.)

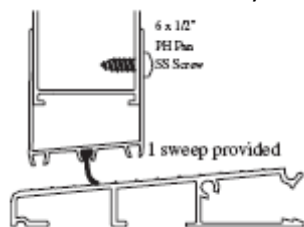


6. Leave an 1/8" gap between the latch-side Z-bar and the door frame.

7. Make sure that there is adequate weatherstripping contact along the full length of the latch side Z-bar. Either adjust the latch side Z-bar or install additional screws (or tighten or loosen the screws already installed) in the hinge side Z-bar (as noted in #5 above) to adjust the clearance as needed.

Installing the Expander Sweep

1. Slide the bottom expander off the door.
2. Once you have the vinyl sweep in place, crimp the metal channels closed, then cut off the excess vinyl sweep.



3. Slide the expander down so it touches the entire length of the sill.
4. Install two screws to hold the expander firmly in place.

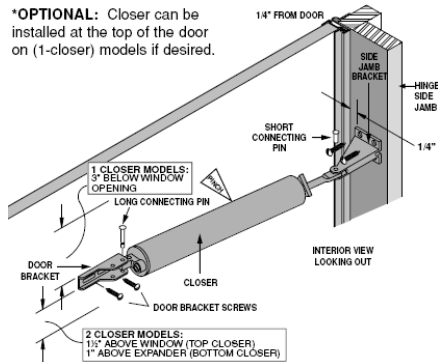
Installing the Latch

Depending on the style of the door you've chosen, hardware may differ. If your door is not pre-drilled for the latch, use the template that came with your purchase to drill the latch holes. Keep your drill level and make sure the storm door latch doesn't interfere with the primary door hardware.

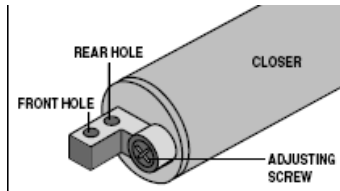
1. Use the detailed drawings in the instructions provided by the manufacturer to assemble the latch.
2. If you chose a door with a lock, install the deadbolt.

Installing the Closer Mechanism

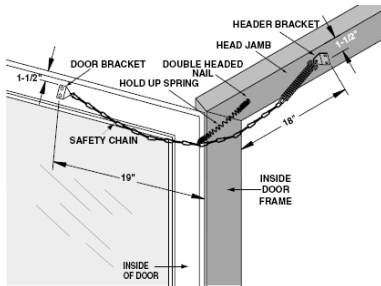
1. First, make sure the door opens and closes freely. Adjust if necessary.
2. Fasten the doorjamb bracket to the house door frame.



3. Slide the hold-open washer onto the rod.
4. Connect the closer to the jamb bracket with the short connecting pin.
5. With the long connecting pin, attach the door bracket to the front hole of the closer tube.
6. From inside your home, with the door in the closed position, level the closer and mark the location for the bracket. Fasten the door bracket to the door with 5/8" screws.
7. To slow the door's closing, adjust the bypass valve on the door's closure mechanism until it closes at a speed you like.



8. Mount the safety chain, if included with your door, to allow a 90-degree opening of the door.



Storm Door Warranty Limitations:

- Modification of door will void warranty.
- Screen/glass damage or breakage is not covered under warranty.
- Wind damage is not covered under warranty.
- Warranty applies to original homeowners of owner-occupied residential properties and covers manufacturer's defects.
- Labor cost, reinstallation fees are not covered by warranty.

NOTE: Warranty applies to original owner—only. Proof of purchase is required.

400 Ambassador Row
 Longview, Texas 75604
 1-800-752-7274