
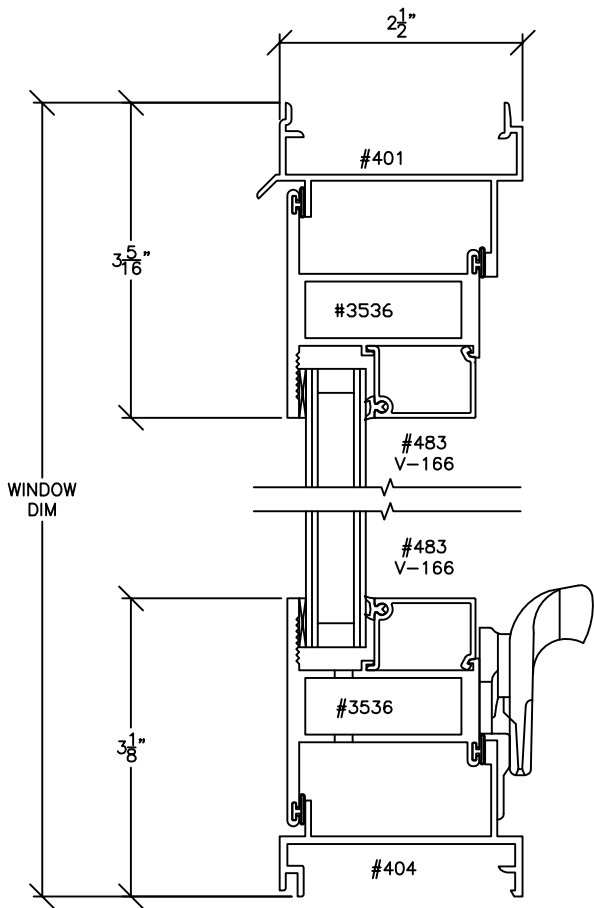
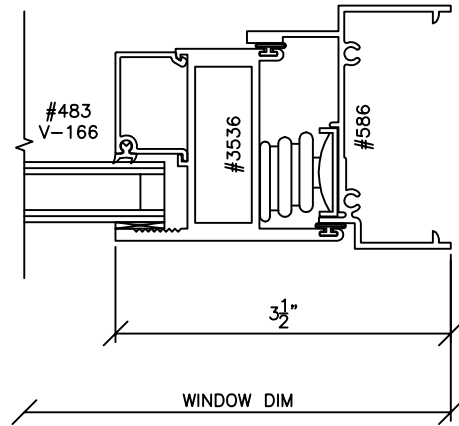


TITLE	TEST	RATING				
<b>SERIES 950 PROJECT OUT NON-THERMAL WINDOW SYSTEM ELEVATIONS</b>	STRUCTURAL	HC-65			SCALE: 3/8" = 1'	
					PAGE NUMBER: 1 OF 5	
	COMPATIBLE SERIES:	950 CSO, 950 FF, 950 PI 860 SH				

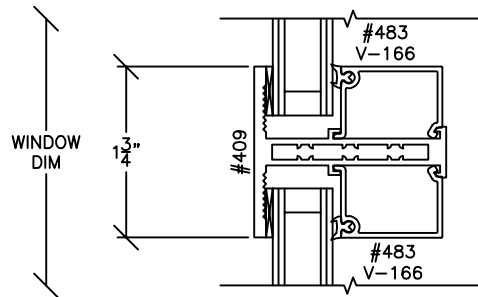


1



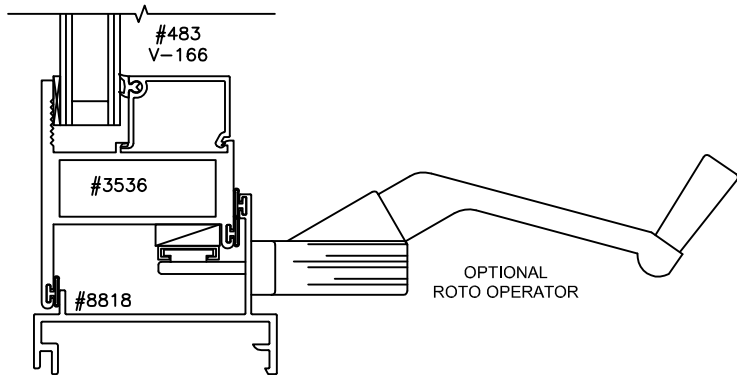
3

2




4

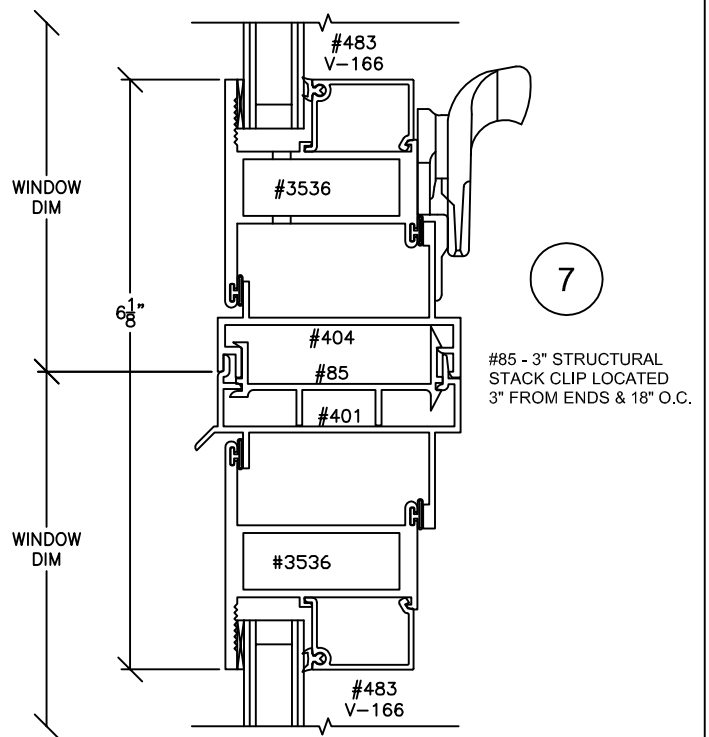
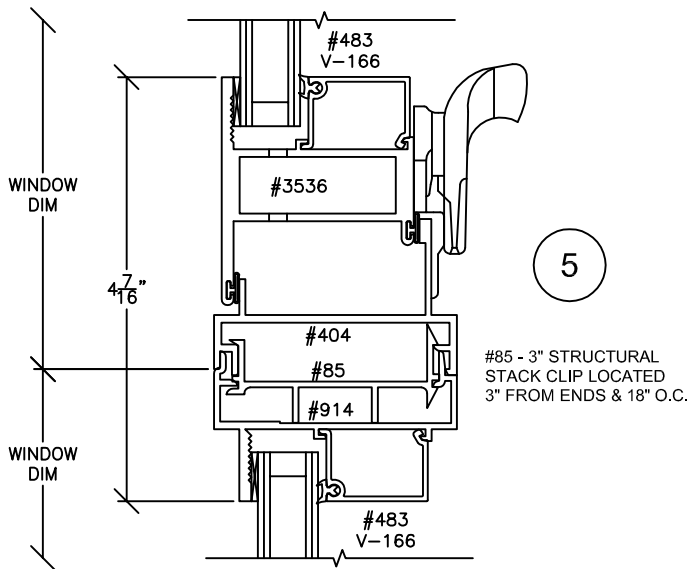
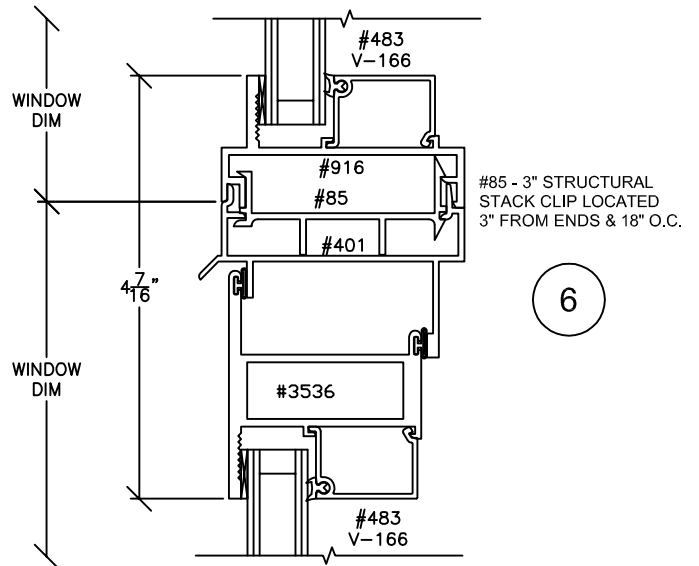
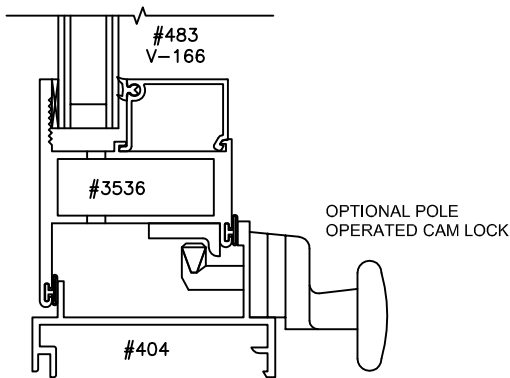
OPTIONAL TRUE MUNTIN




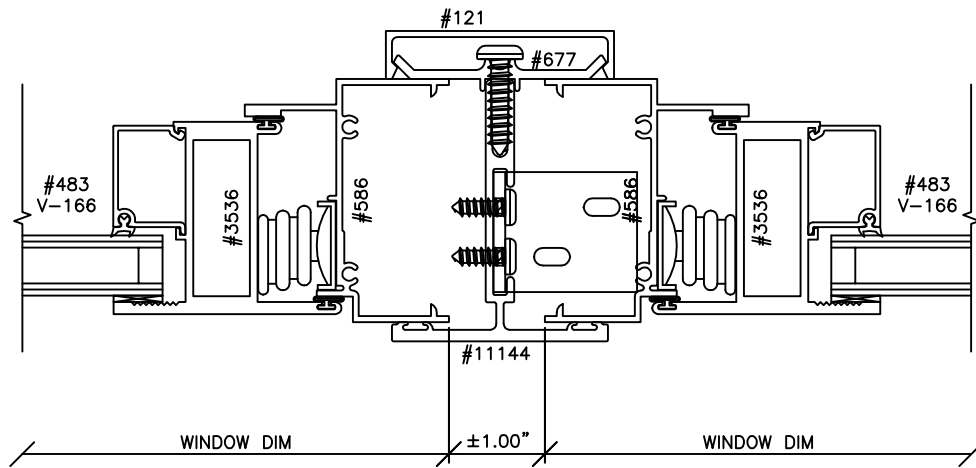
OPTIONAL ROTO OPERATOR

NOTE: 950 CASEMENT MUST BE AT LEAST 20" WIDE TO ACCOMDATE ROTO OPERATORS


TITLE	TEST	RATING				
SERIES 950 PROJECT OUT NON-THERMAL WINDOW SYSTEM HEAD, JAMB, & SILL DETAILS	STRUCTURAL	HC-65			SCALE: HALF	
	COMPATIBLE SERIES:	950 CSO, 950 FF, 950 PI 860 SH				

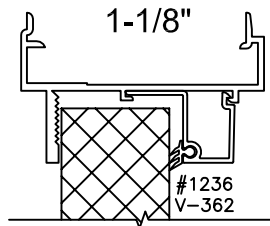
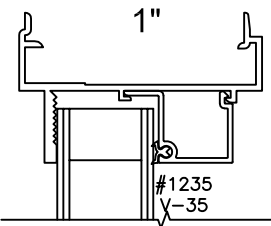
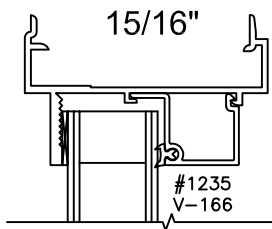
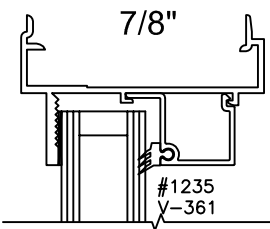
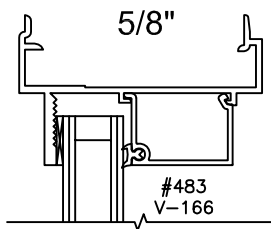
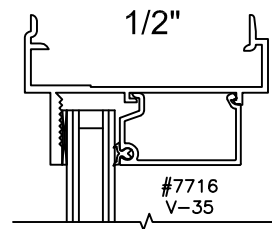
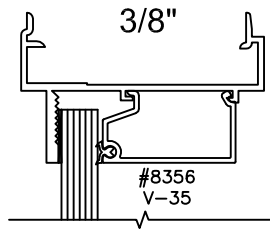
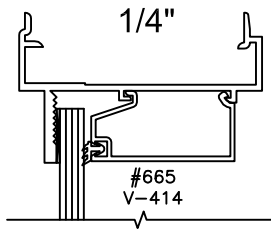
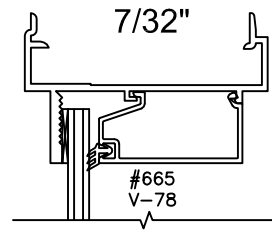
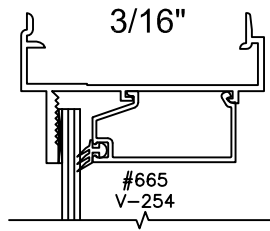
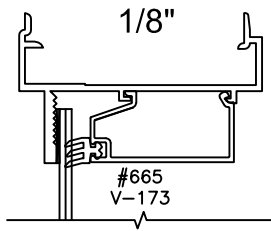



TITLE	TEST	RATING	
SERIES 950 PROJECT OUT NON-THERMAL WINDOW SYSTEM STACK DETAILS	STRUCTURAL	HC-65	
COMPATIBLE SERIES:	950 CSO, 950 FF, 950 PI 860 SH	SCALE: HALF	PAGE NUMBER: 3 OF 5



8

TITLE	TEST	RATING				
SERIES 950 PROJECT OUT NON-THERMAL WINDOW SYSTEM MULLION DETAIL	STRUCTURAL	HC-65			SCALE: HALF	
					PAGE NUMBER: 4 OF 5	
	COMPATIBLE SERIES:	950 CSO, 950 FF, 950 PI 860 SH				



TITLE	TEST	RATING				
SERIES 950 PROJECT OUT NON-THERMAL WINDOW SYSTEM GLAZING OPTIONS	STRUCTURAL	HC-65			SCALE: HALF	
					PAGE NUMBER: 5 OF 5	
	COMPATIBLE SERIES:	950 CSO, 950 FF, 950 PI 860 SH				