
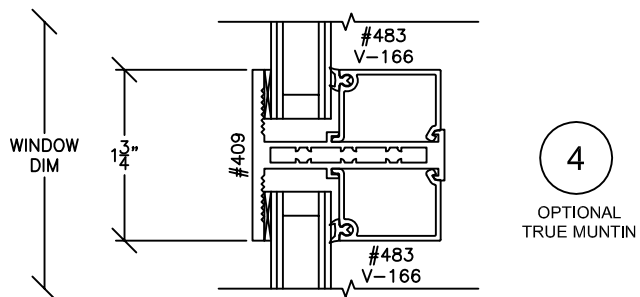
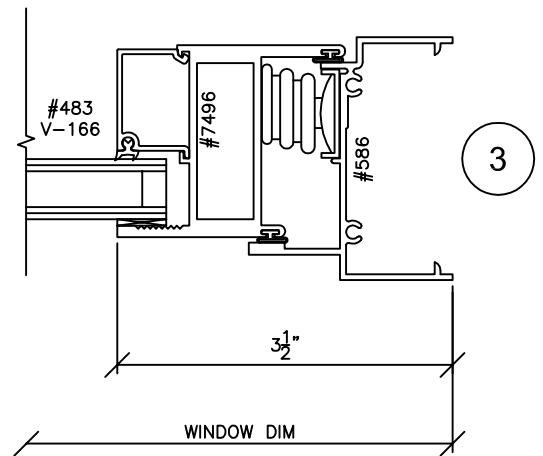
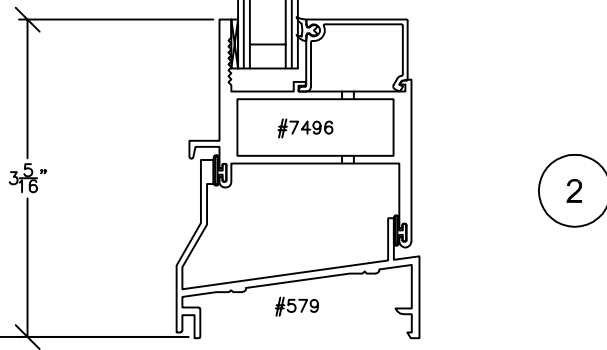
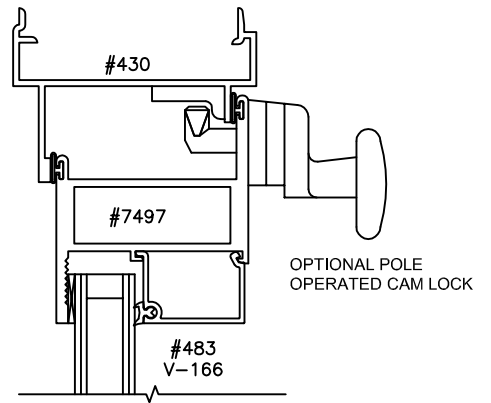
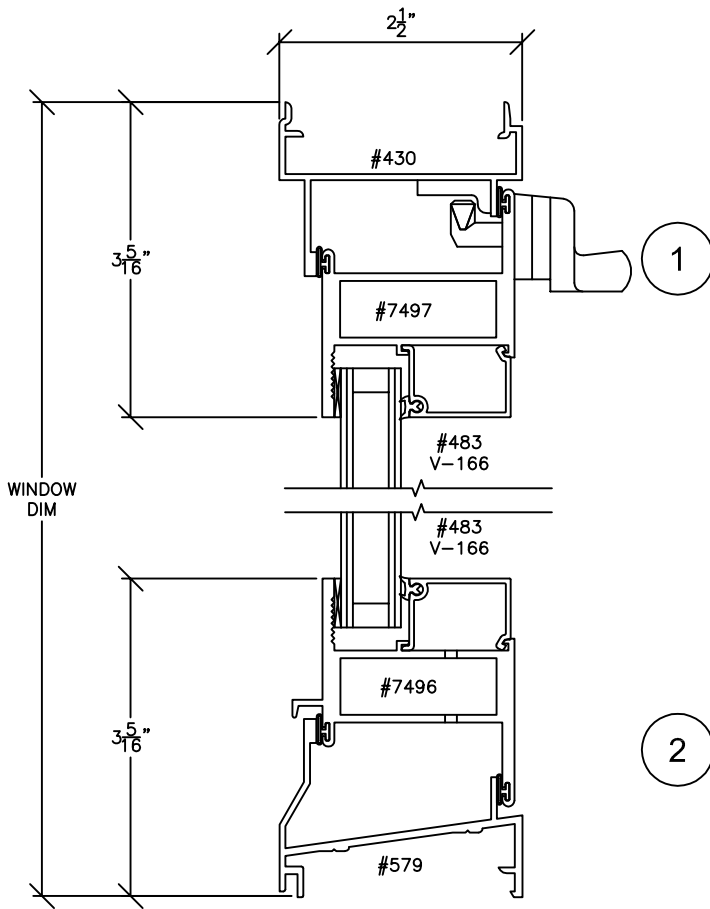

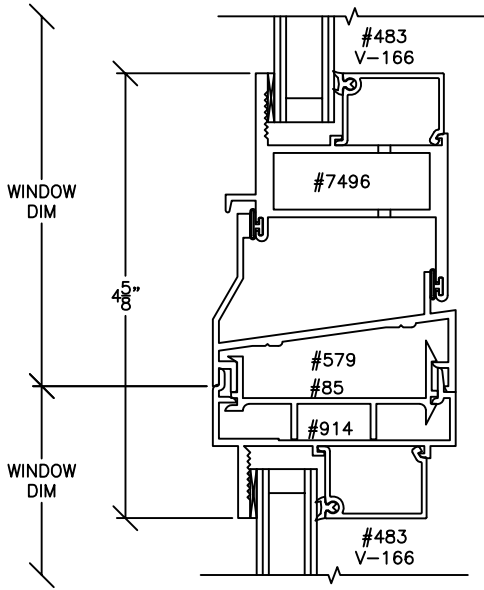


TITLE	TEST	RATING				
SERIES 950 PROJECT IN NON-THERMAL WINDOW SYSTEM ELEVATIONS	STRUCTURAL	HC-70			SCALE: 3/8" = 1'	
					PAGE NUMBER: 1 OF 5	
	COMPATIBLE SERIES:	950 CSO, 950 FF, 950 PO 860 SH				

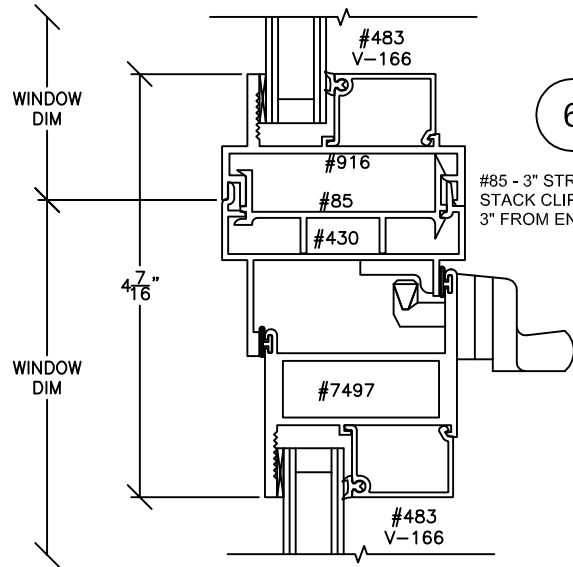


TITLE	TEST	RATING				
SERIES 950 PROJECT IN NON-THERMAL WINDOW SYSTEM HEAD, JAMB, & SILL DETAILS	STRUCTURAL	HC-70			SCALE: HALF	
					PAGE NUMBER: 2 OF 5	
	COMPATIBLE SERIES:	950 CSO, 950 FF, 950 PO 860 SH				



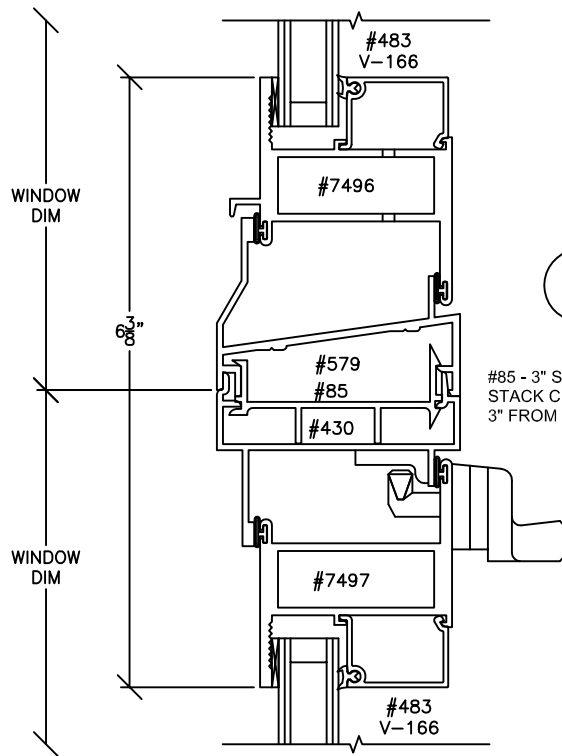
5

#85 - 3" STRUCTURAL
STACK CLIP LOCATED
3" FROM ENDS & 18" O.C.




6

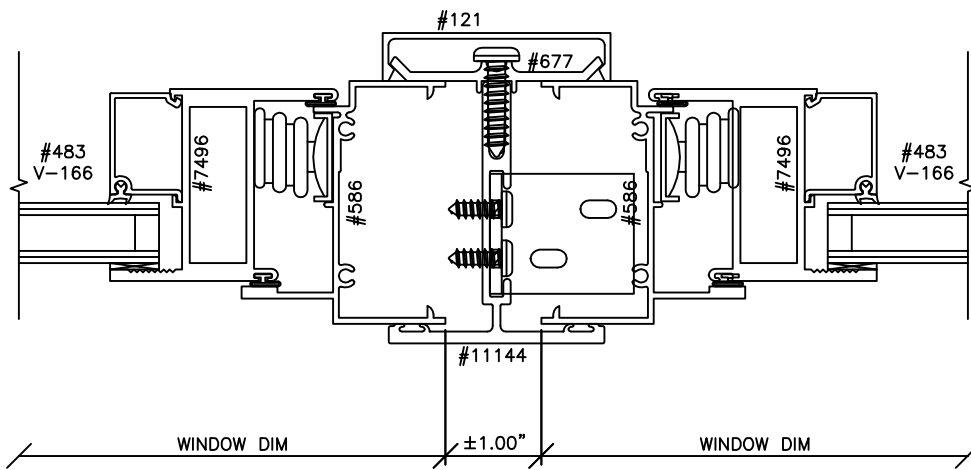
#85 - 3" STRUCTURAL
STACK CLIP LOCATED
3" FROM ENDS & 18" O.C.




7

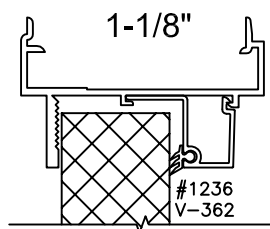
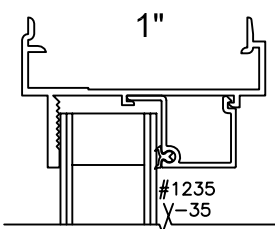
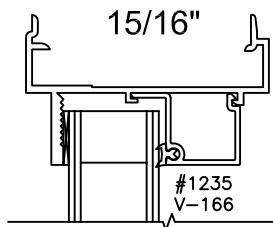
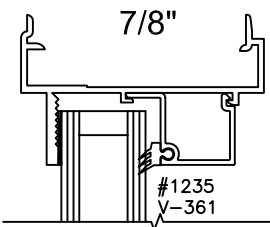
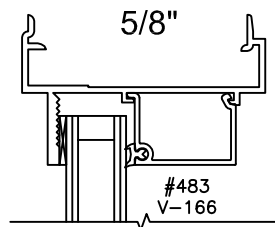
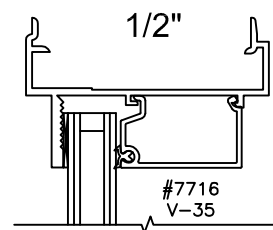
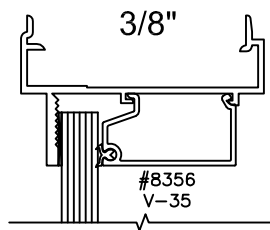
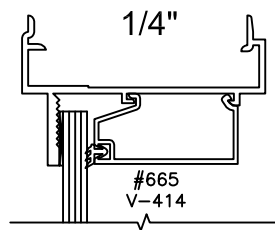
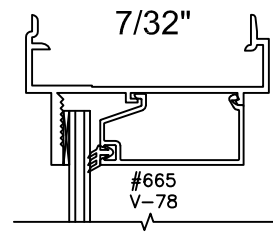
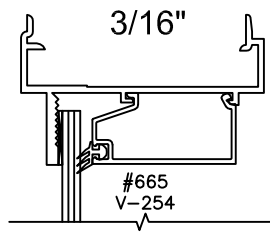
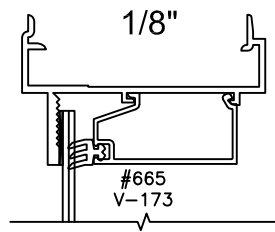
#85 - 3" STRUCTURAL
STACK CLIP LOCATED
3" FROM ENDS & 18" O.C.


TITLE	TEST	RATING				
SERIES 950 PROJECT IN NON-THERMAL WINDOW SYSTEM STACK DETAILS	STRUCTURAL	HC-70			SCALE: HALF	
					PAGE NUMBER: 3 OF 5	
	COMPATIBLE SERIES:	950 CSO, 950 FF, 950 PO 860 SH				



8

TITLE	TEST	RATING				
SERIES 950 PROJECT IN NON-THERMAL WINDOW SYSTEM MULLION DETAIL	STRUCTURAL	HC-70			SCALE: HALF	
					PAGE NUMBER: 4 OF 5	
	COMPATIBLE SERIES:	950 CSO, 950 FF, 950 PO 860 SH				



TITLE	TEST	RATING				
SERIES 950 PROJECT IN NON-THERMAL WINDOW SYSTEM GLAZING OPTIONS	STRUCTURAL	HC-70			SCALE: HALF	
					PAGE NUMBER: 5 OF 5	
	COMPATIBLE SERIES:	950 CSO, 950 FF, 950 PO 860 SH				