
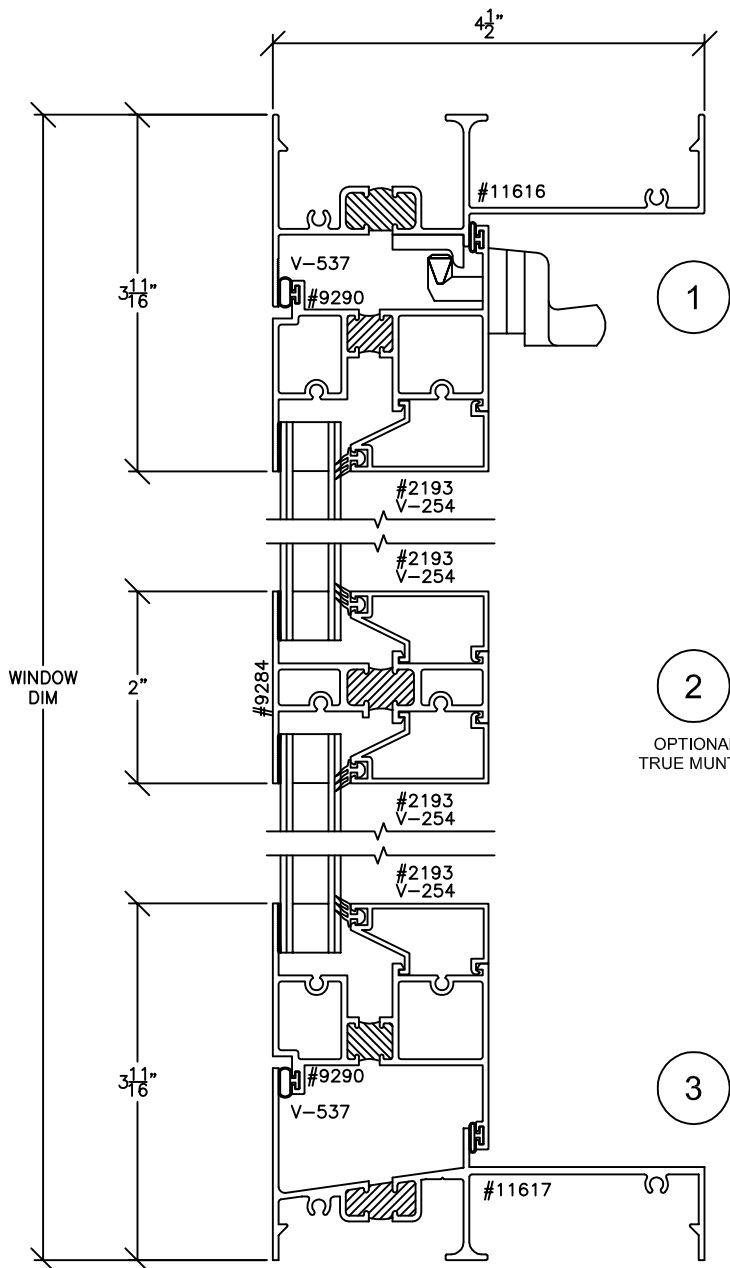


TITLE	TEST	RATING				
SERIES 5045 PROJECT IN THERMAL WINDOW SYSTEM ELEVATIONS					SCALE: 3/8" = 1'	
					PAGE NUMBER: 1 OF 6	
	COMPATIBLE SERIES:	5045 FF				

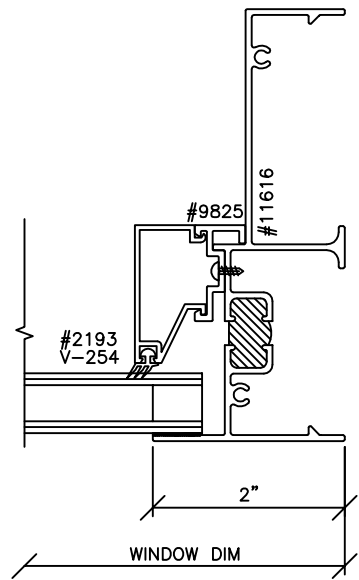


1

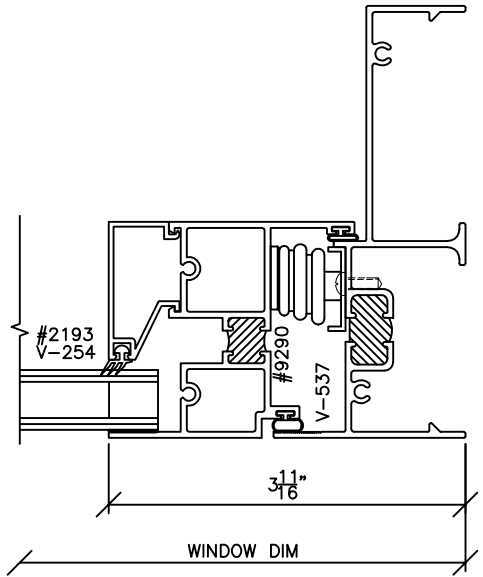
2

OPTIONAL
TRUE MUNTIN


3

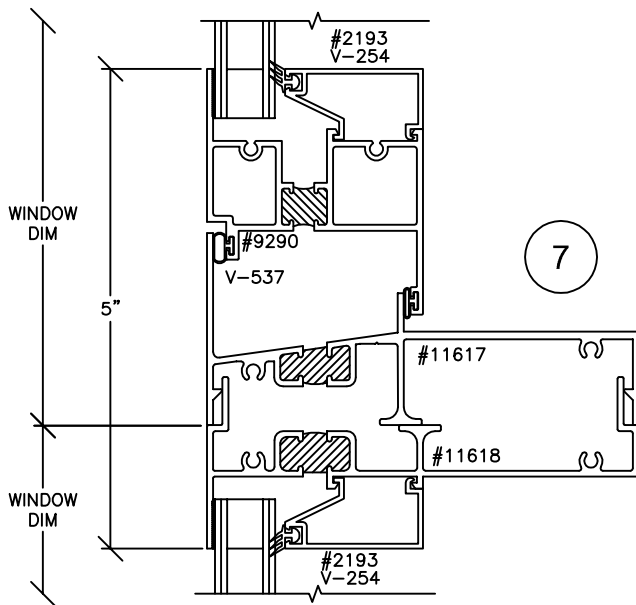
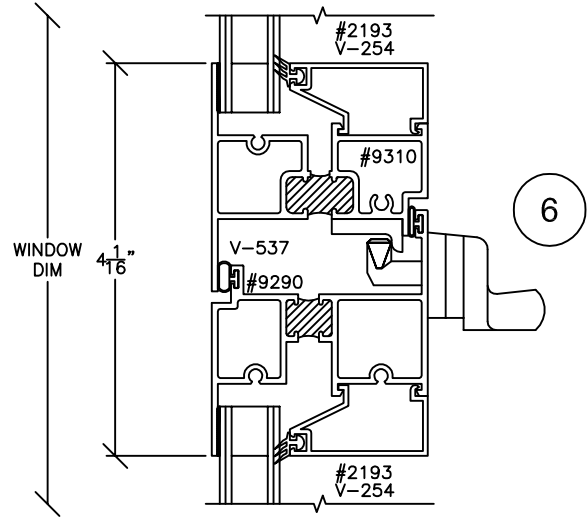
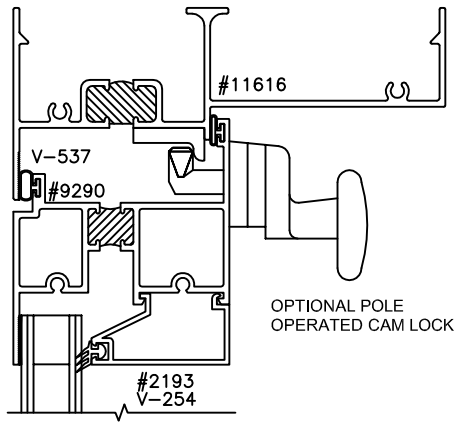



4

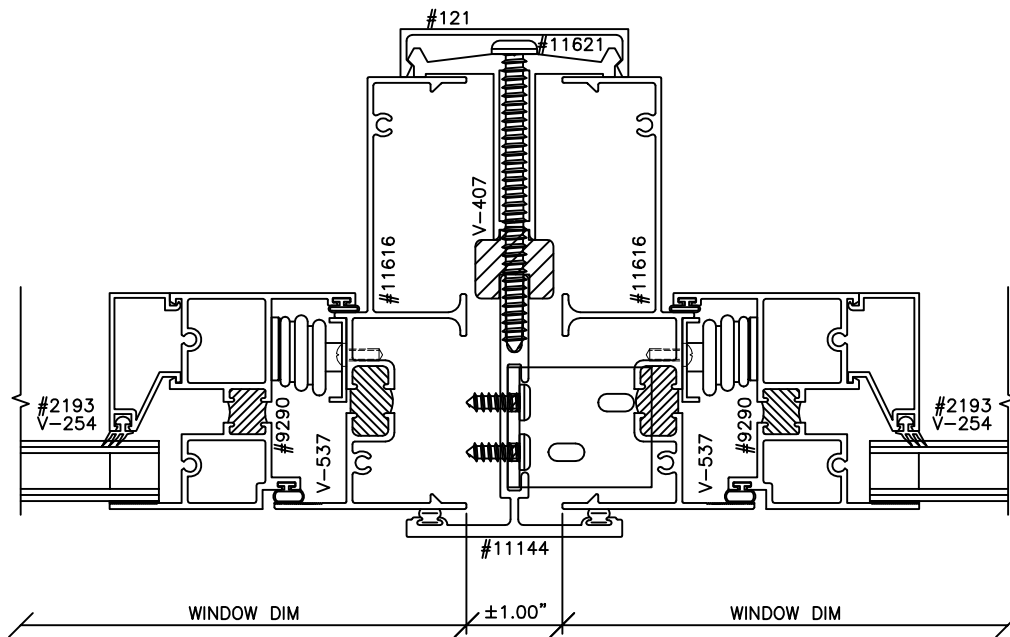


5


TITLE	TEST	RATING				
SERIES 5045 PROJECT IN THERMAL WINDOW SYSTEM HEAD, JAMB, & SILL DETAILS					SCALE: HALF	
					PAGE NUMBER: 2 OF 6	
	COMPATIBLE SERIES:	5045 FF				

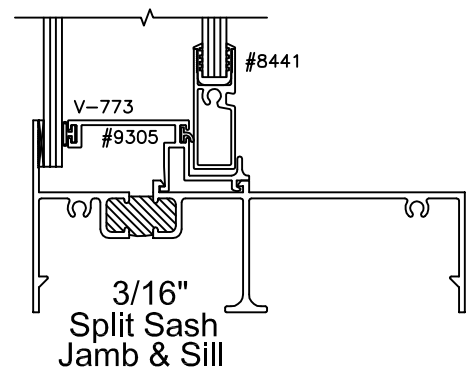
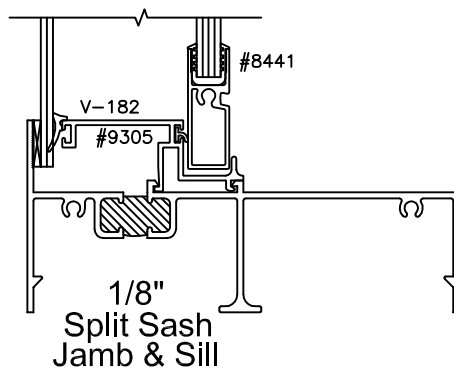
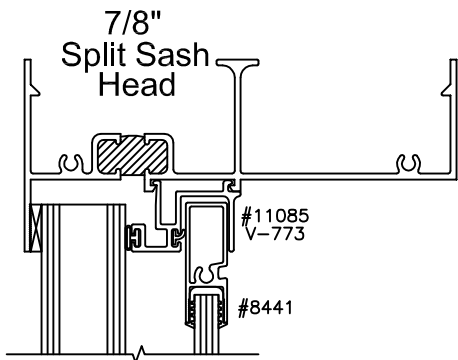
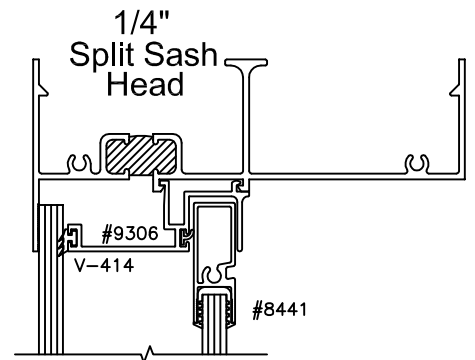
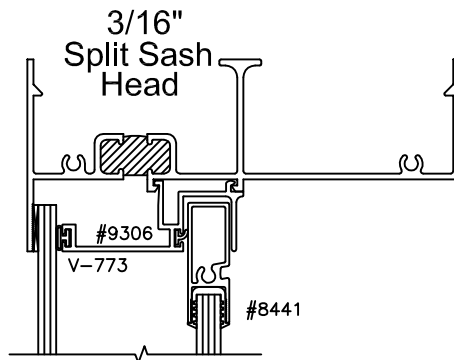
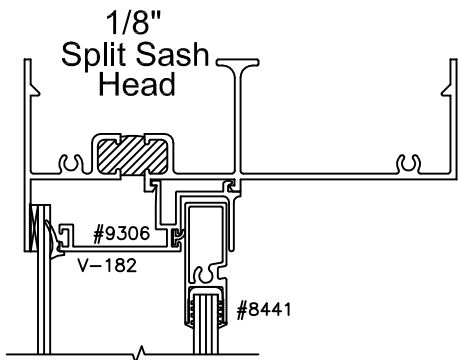
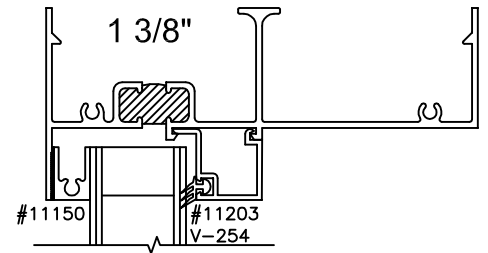
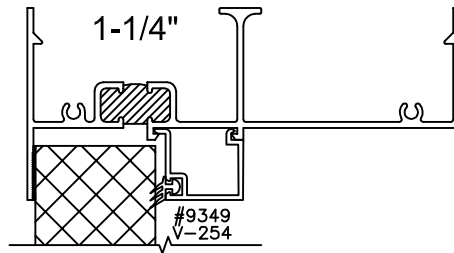
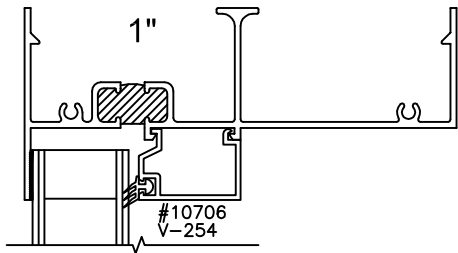
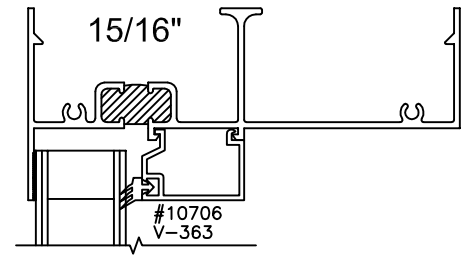
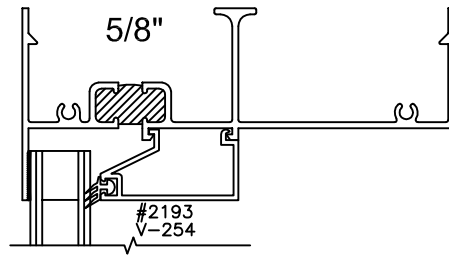
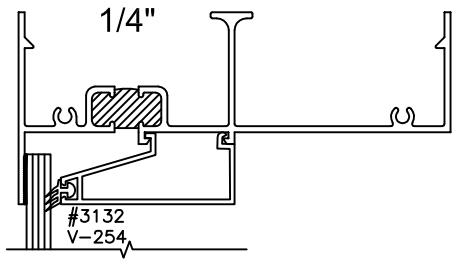



TITLE	TEST	RATING				
SERIES 5045 PROJECT IN THERMAL WINDOW SYSTEM STACK DETAILS					SCALE: HALF	
					PAGE NUMBER: 3 OF 6	
	COMPATIBLE SERIES:	5045 FF				

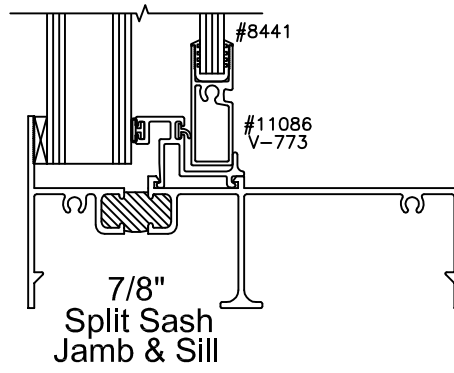
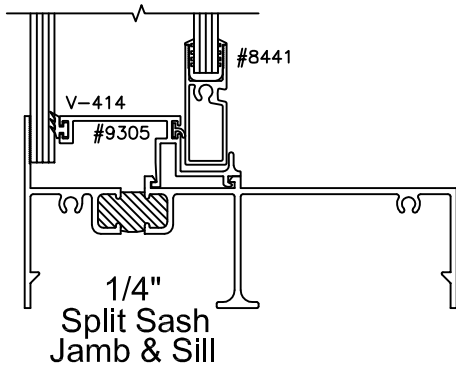



8

TITLE	TEST	RATING				
SERIES 5045 PROJECT IN THERMAL WINDOW SYSTEM MULLION DETAIL					SCALE: HALF	
					PAGE NUMBER: 4 OF 6	
	COMPATIBLE SERIES:	5045 FF				



TITLE	TEST	RATING				
SERIES 5045 PROJECT IN THERMAL WINDOW SYSTEM GLAZING OPTIONS					SCALE: HALF	
					PAGE NUMBER: 5 OF 6	
	COMPATIBLE SERIES:	5045 FF				



TITLE	TEST	RATING				
SERIES 5045 PROJECT IN THERMAL WINDOW SYSTEM GLAZING OPTIONS						
	COMPATIBLE SERIES:	5045 FF	SCALE: HALF	PAGE NUMBER: 6 OF 6		